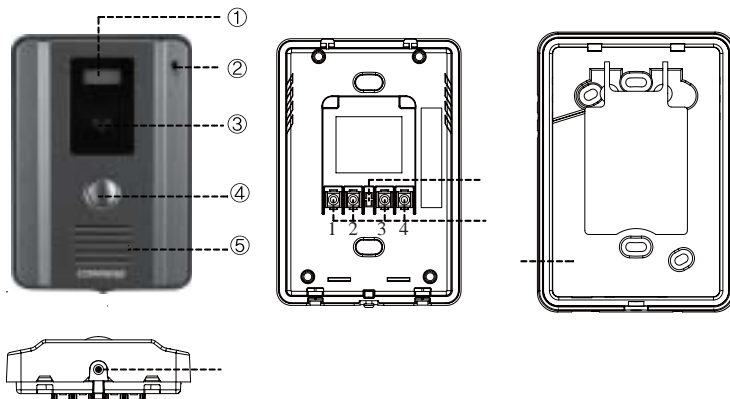




Color Door Camera

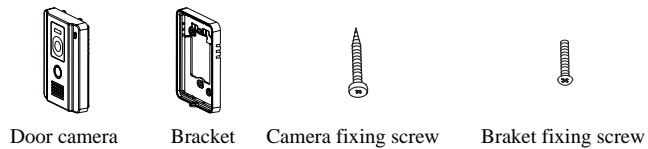
Model No. : DRC-40CK

Overview



- White LED & illumination sensor : Offer clear image at night
- Microphone : It delivers voice from a visitor
- Camera lens : Transferring image
 - * It should be kept clean
- Call button : Call a residence
- Speaker : It delivers voice to a visitor
- Screw Hole
- Door Release connection terminal
- Monitor connection terminal
- Wall Bracket

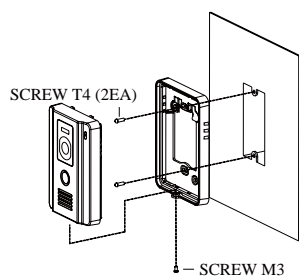
Package contents



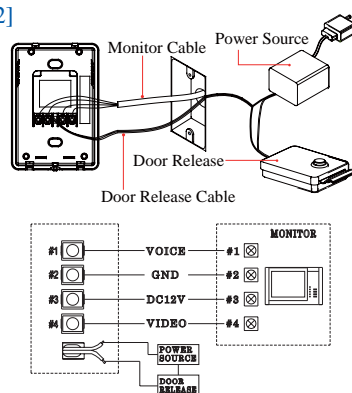
Installation

1. Fix a bracket on a wall with screws
2. Wiring #1, 2, 3, 4 on the back side of a door camera with a monitor as shown in [FIG-2]
(#1 : VOICE, #2 : GND, #3 : DC12V, #4 : VIDEO)
3. Put a door camera unit into a wall bracket
4. Wire door release connection terminal as shown in [FIG-2]
5. Tighten a screw at the bottom side of a door camera. [FIG-1]

[FIG-1]



[FIG-2]



Specification

Model No.	DRC-40CK				
Rated Voltage	DC 12V (Supplied to monitor)				
Wiring	4 wires (polarity) to a monitor 2 wires (non-polarity) to a electric door lock				
Sensor Type	CMOS IMAGE SENSOR				
Transmission	Full duplex				
Color Television	NTSC STANDARD.				
Minimum Illumination	0.1 Lux (within 300mm)				
LED	Embedded white LED (night working)				
Effective Viewing Angle	Horizontal 75°, Vertical 55°				
Angle Adjustment	Upward 13				
Operating Temperature	-10 ~ +40				
Weight (g)	300g				
Dimension (mm)	101(W) x 142(H) x 32(D)				
Installation between a door camera and a monitor(TIV Cable)	Diameter(π)	∅0.5	∅0.65	∅0.8	∅ 1
	Distance(meter)	28m	50m	70m	115m

513-11, Sangdaewon-dong, Jungwon-gu, Seongnam-si, Gyeonggi-do, Korea
 Int'l Business Dept. : Tel.; +82-31-7393-540~550 Fax.; +82-31-745-2133
 Web site : www.commax.com

Printed In Korea / 2008.03