

DH-HAC-HDBW2120E

1.3Megapixel 720P Vandal-proof IR HDCVI Mini Dome Camera



Features

- 1/3" 1.3Megapixel CMOS
- 25/30/50/60fps@720P
- High speed, long distance real-time transmission
- HD and SD switchable
- OSD Menu, control over coaxial cable
- DWDR, Day/Night(ICR), AWB, AGC, BLC, 3DNR
- 3.6mm fixed lens (2.8mm, 6mm, 8mm optional)
- Max. IR LEDs length 30m, Smart IR
- IP67, IK10, DC12V

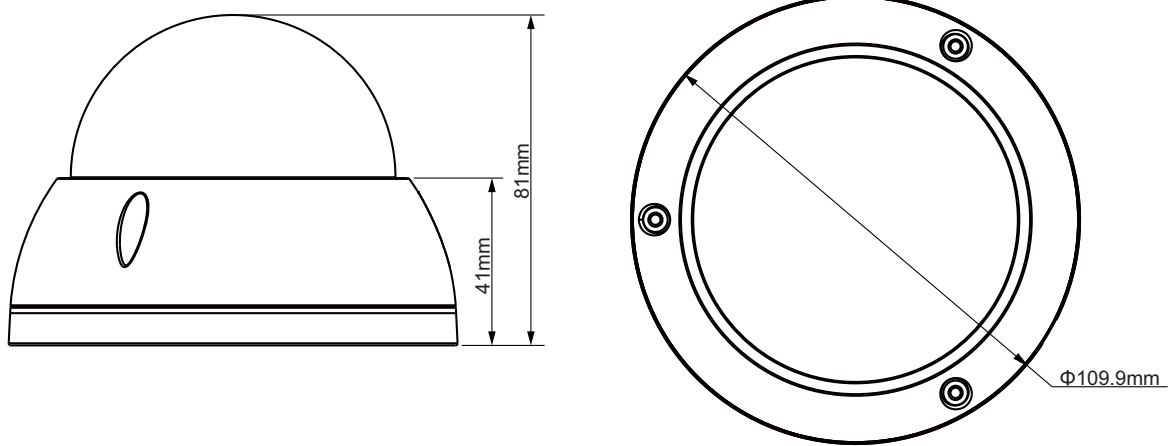
DH-HAC-HDBW2120E

Technical Specifications

Model	DH-HAC-HDBW2120EP	DH-HAC-HDBW2120EN
Camera		
Image Sensor	1/3" 1.3Megapixel CMOS	
Effective Pixels	1305(H)×977(V)	
Electronic Shutter	1/3s~1/100,000s	
Video Frame Rate	25/50fps@720P	30/60fps@720P
Synchronization	Internal	
Mini. Illumination	0.01Lux/F1.6, 0Lux IR on	
Video Output	1-channel BNC HDCVI high definition video output/ CVBS standard definition video output (Can switch)	
Camera Features		
Max. IR LEDs Length	30m, Smart IR	
Day/Night	Auto(ICR) / Color / B/W	
Noise Reduction	2D/3D	
OSD Menu	Support	
Lens		
Focal Length	3.6mm (2.8mm, 6mm, 8mm optional)	
Angle of View	H: 72.3° (89° /46° /34.8°)	
Mount Type	M12	
General		
Power Supply	DC12V±20%	
Power Consumption	Max 3.5W	
Working Environment	-30°C~+60°C / Less than 95%RH (no condensation)	
Transmission Distance	Over 800m via 75-3 coaxial cable	
Ingress Protection	IP67 & IK10	
Dimensions(W×D×H)	Φ109.9mm×81.0mm	
Weight	0.3kg	
Material	Metal	

DH-HAC-HDBW2120E

Dimensions (mm)



Accessories (optional)

		
PFB200W	PFA136	PFA152

Dahua Technology Co., Ltd.

1187 BinAn Road, Binjiang District, Hangzhou, China

Tel: +86-571-87688883

Fax: +86-571-87688815

Email: overseas@dahuatech.com

www.dahuatech.com

*Design and specifications are subject to change without notice.

© 2013 Dahua Technology Co., Ltd.